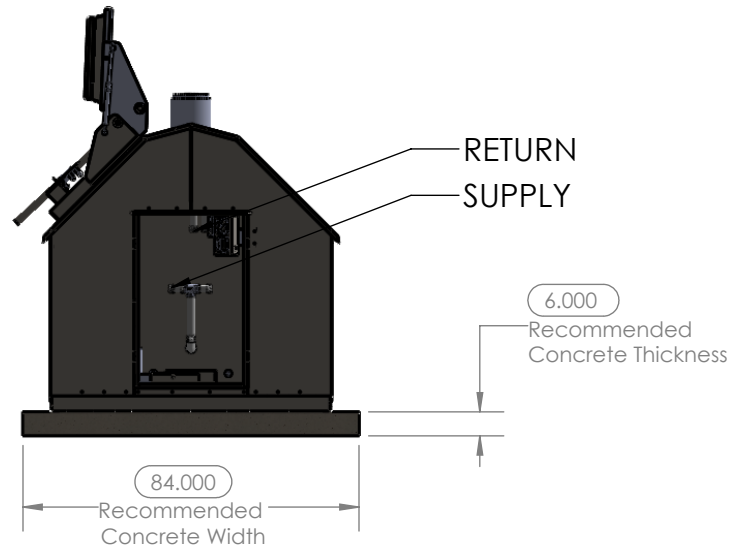
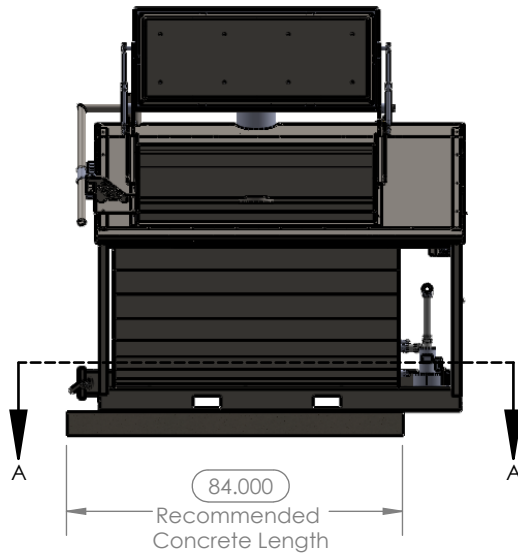
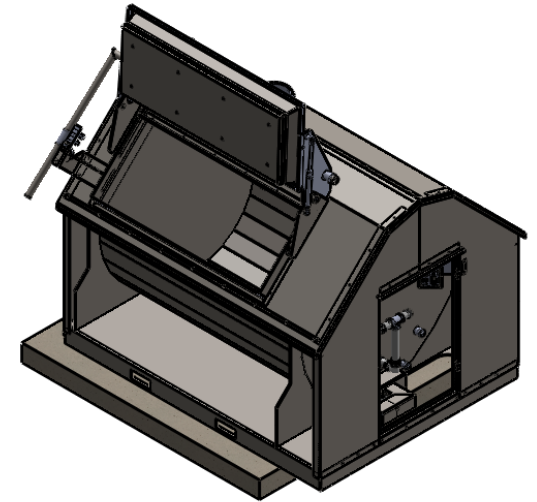
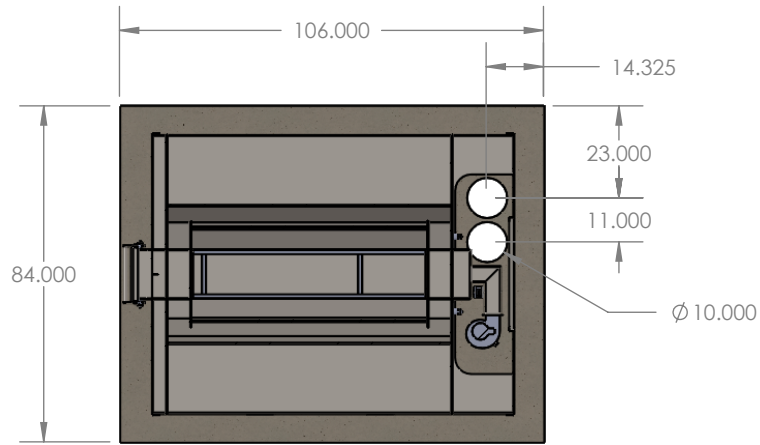


SECTION A-A

PARTIAL CONCRETE PAD (PEX OVERHANG DIMENSIONS)

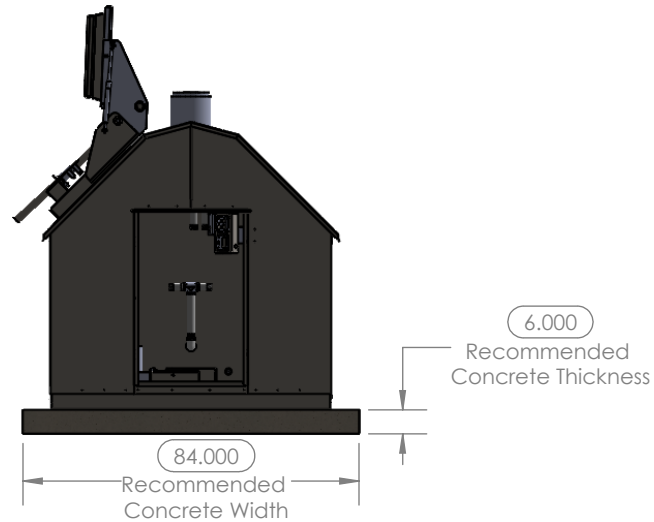
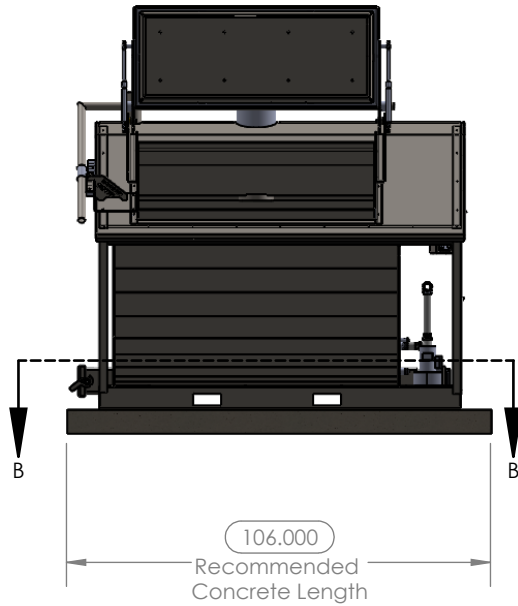
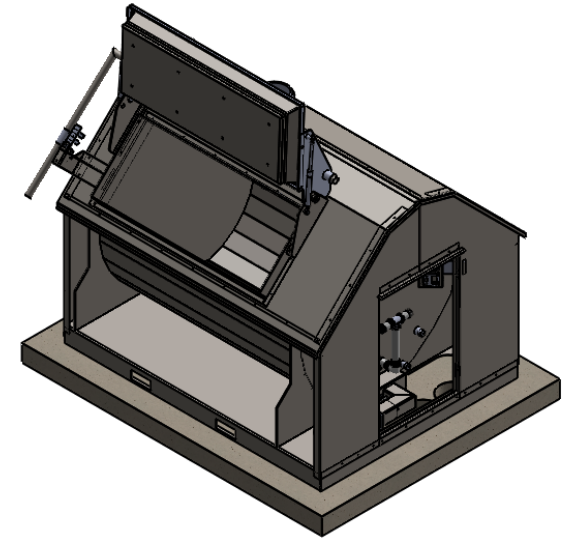


UNLESS OTHERWISE SPECIFIED: DIMENSIONS ARE IN INCHES TOLERANCES: FRACTIONAL $\pm 1/64$ ANGULAR: MACH $\pm 1.0^\circ$ BEND $\pm 1.0^\circ$ TWO PLACE DECIMAL ± 0.030 THREE PLACE DECIMAL ± 0.005	Material: ---	
	Finish: RAW	
Sheet Scale: 1:48	Weight: ---	Description: LB-6024 FIREBOX DRAWING
Sheet No: 1 of 2	Date: 12/7/2021	Part Number: LB-6024
		Rev. A



SECTION B-B

FULL CONCRETE PAD



UNLESS OTHERWISE SPECIFIED: DIMENSIONS ARE IN INCHES TOLERANCES: FRACTIONAL $\pm 1/64$ ANGULAR: MACH $\pm 1.0^\circ$ BEND $\pm 1.0^\circ$ TWO PLACE DECIMAL ± 0.030 THREE PLACE DECIMAL ± 0.005	Material: ---	
	Finish: RAW	
Sheet Scale: 1:48	Weight: ---	Description: LB-6024 FIREBOX DRAWING
Sheet No: 2 of 2	Date: 12/7/2021	Part Number: LB-6024
		Rev. A